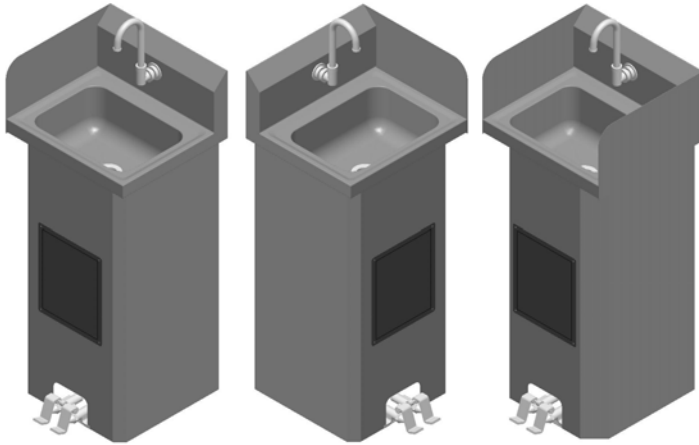


HAND SINKS
DH-20, DH-21, DH-22
(With Splash & Low-Lead Faucet)

PROJECT#: _____
 ITEM# _____
 MODEL# _____



DH-20L

DH-20R

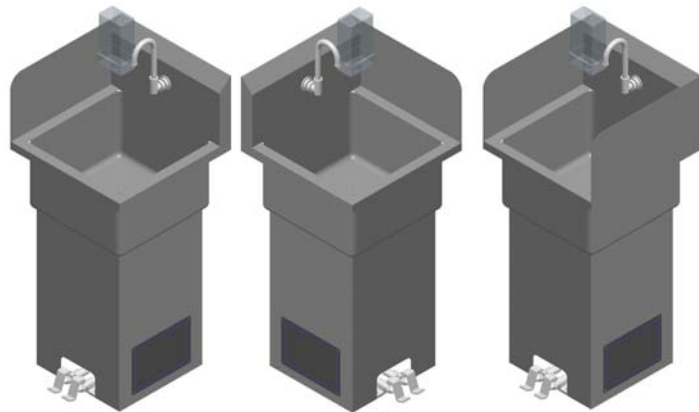
DH-20D

Low Cost Solutions for Back Room Operations:

- ◆ Supermarkets
- ◆ Convenience Stores
- ◆ Hospitals
- ◆ Factories

Features:

- ◆ Constructed from Heavy Gauge Type 300 Series Stainless Steel
- ◆ Available through the Amtekco Quick Ship Program
- ◆ All Sinks are N.S.F. Listed
- ◆ Multiple Designs for Multiple Applications



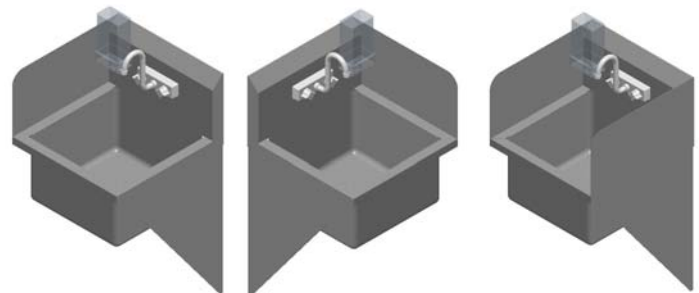
DH-21L

DH-21R

DH-21D

Mechanical Specifications:

- ◆ Meets “Low Lead” or “Lead-Free” Specifications
- ◆ Crumb Cup Drain 1-1/2” NPS
- ◆ Faucets 1/2” NPS
- ◆ Refer to back of sheet for individual mechanical specifications



DH-22L

DH-22R

DH-22D

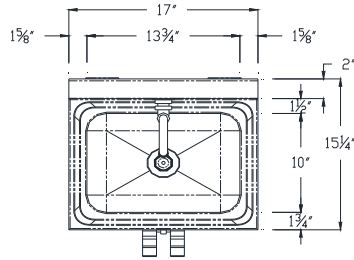
MODEL#	SPLASH LOCATION
DH-20L	LEFT
DH-20R	RIGHT
DH-20D	LEFT & RIGHT
DH-21L	LEFT
DH-21R	RIGHT
DH-21D	LEFT & RIGHT
DH-22L	LEFT
DH-22R	RIGHT
DH-22D	LEFT & RIGHT

Amtekco offers a full line of standard hand washing sinks to satisfy every requirement and the most rigorous local sanitation requirements. These superior products feature type 300 stainless steel throughout for long life, ease in cleaning and low maintenance. Rugged, heavy gauge, die stamped and welded construction provides for rigid wall mounting for years of trouble free use.

All faucets are N.S.F. listed.

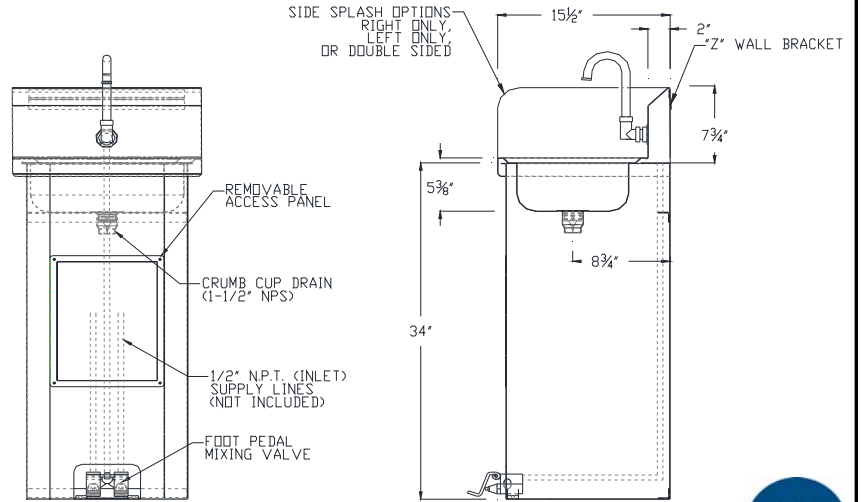


HAND SINKS DH-20, DH-21, DH-22 (With Splash & Low-Lead Faucet)

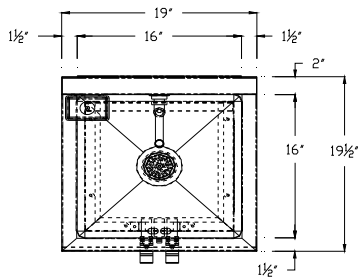


Accessories:

- ◆ Low-Lead Combination Package #KL25-1000 Kit
 - ◆ #KL25-1000 Foot Operated Mixing Valve (1/2" NPS)
 - ◆ #KL72-9000 Swivel Gooseneck Faucet (1/2" NPS)
- ◆ Crumb Cup Drain (1-1/2" NPS)
- ◆ Wall Mounting Bracket

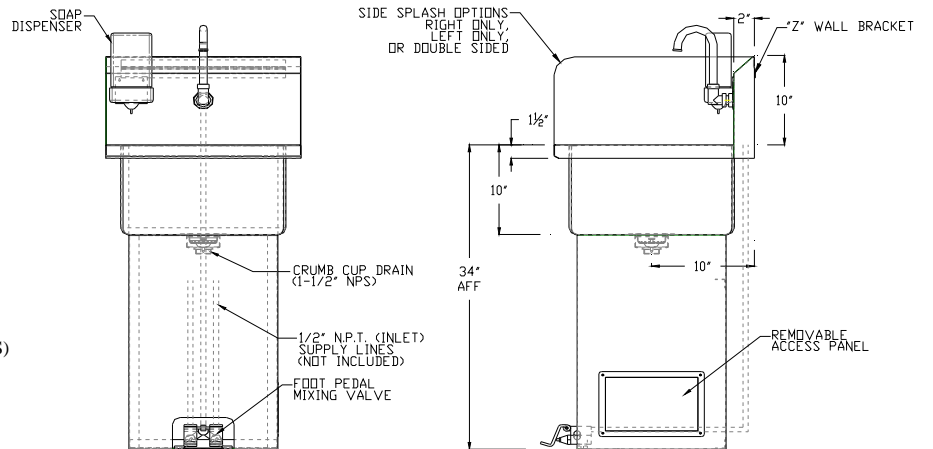


DH-20L, DH-20R, DH-20D

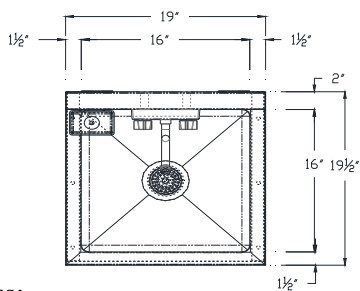


Accessories:

- ◆ Low-Lead Combination Package #KL25-1000 Kit
 - ◆ #KL25-1000 Foot Operated Mixing Valve (1/2" NPS)
 - ◆ #KL72-9000 Swivel Gooseneck Faucet (1/2" NPS)
- ◆ Crumb Cup Drain (1-1/2" NPS)
- ◆ Wall Mounting Bracket
- ◆ Soap Dispenser # B-155

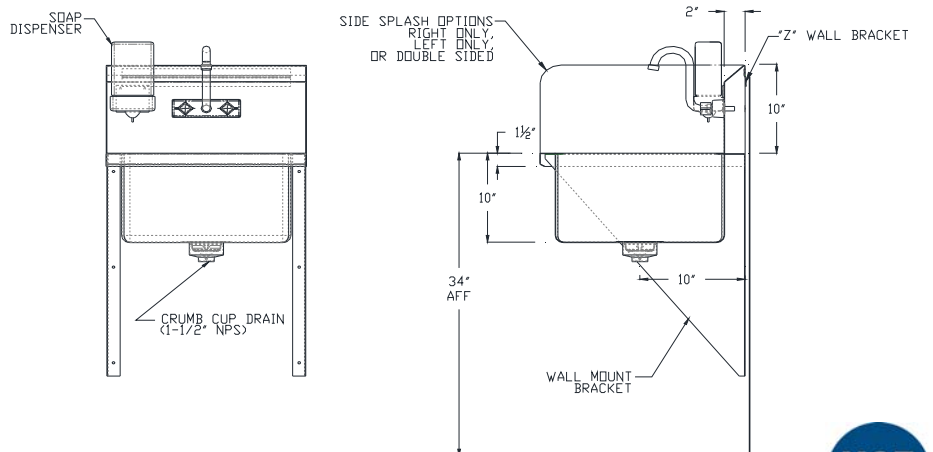


DH-21L, DH-21R, DH-21D



Accessories:

- ◆ Low-Lead Faucet - #KHS15-4000
w/ Gooseneck Spout (1/2" NPS)
- ◆ Crumb Cup Drain (1-1/2" NPS)
- ◆ Wall Mounting Bracket
- ◆ Soap Dispenser—#B-155



DH-22L, DH-22R, DH-22D

